

# SohoLine

## Intro

SohoLine cabinets provide an economical solution for wall-mounted networking application. This series is a range of wall-mounted enclosures for use in offices, factories or any places where a reduced amount of space is required.



### GENERAL CHARACTERISTICS

- 6U, 7U, 9U, 12U height options
- Depth is 400 mm. for 7U, 9U, 12U and 300 mm. for 6U
- Width is 520 mm. for 19" and 292 mm. for 10".
- 30 kg. load carrying capacity (for wall mounted installation)
- Protection level: IP20
- Extensive range of accessories
- Color: RAL 9005 black and RAL 7035 light grey
- U marking device installation uprights
- Nut and washer connection for earthing
- Front door can be opened up to 220°
- Special structure allowing the adjustment of 19" device uprights throughout the depth
- Cost-effective flatpack design



## Modular, Practical and Compact Design

SohoLine 19" and 10" wall-mounted cabinets offer sleek and user friendly design for fast installations at compact locations.

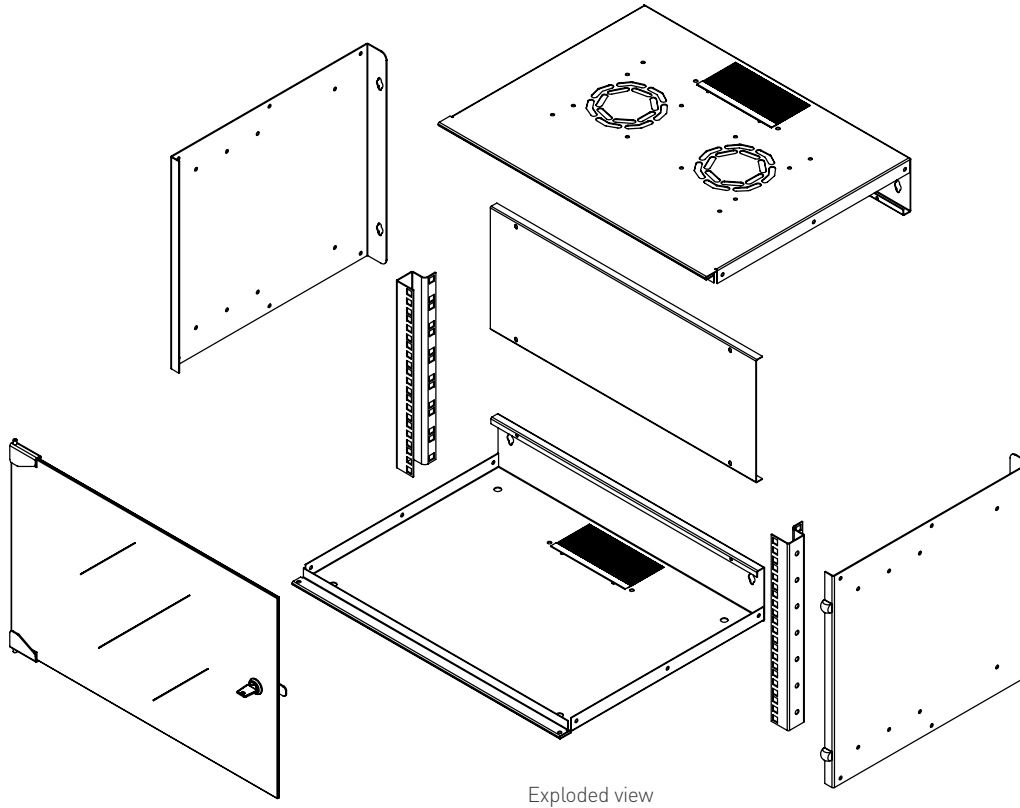
### GENERAL CHARACTERISTICS

- 4 mm thickness of glass, full-length smoked, shatterproof, tempered, secure
- Rear panel can be mechanically locked with 4 screws from the inside
- Front door is lockable and removable.
- Rubber edge sliding mechanism for top or bottom
- Plastic and sliding covers swappable between top and bottom
- Rigid frame construction in steel sheet, rapidly dismantled with 3 screws per corner
- Top panel is available for fan module system
- Saves up to 70% of Shipment and 50% of labor cost (due to a 5 minute assembly time)
- Quick assembly using 3 screws per edge



# SohoLine

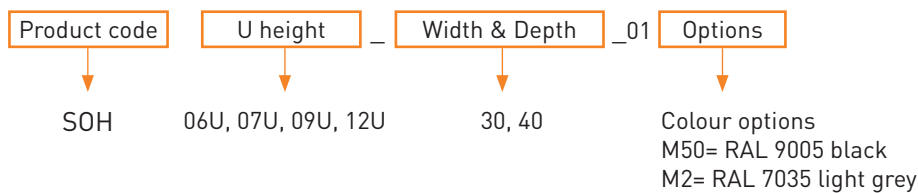
## SOHOLINE 19" WALL-MOUNTED CABINETS DIMENSIONS



PRODUCT REFERENCE	PRODUCT DEFINITION	U SIZE	WIDTH: OVERALL (MM)	DEPTH: OVERALL (MM)	HEIGHT: VERTICAL MOUNTING PROFILE (MM)	HEIGHT: OVERALL (MM)
SOH06U30_01M50	06U 520x300	6	520	300	267	319
SOH07U40_01M50	7U 520x400	7	520	400	312	359
SOH09U40_01M50	9U 520x400	9	520	400	401	448
SOH12U40_01M50	12U 520x400	12	520	400	535	520

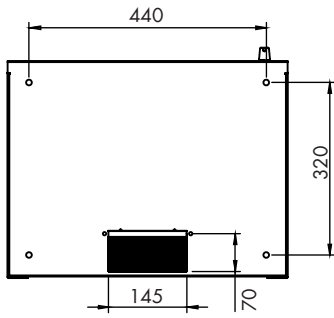
### REFERENCE CODE CREATION

Example: SOH06U30\_01M50

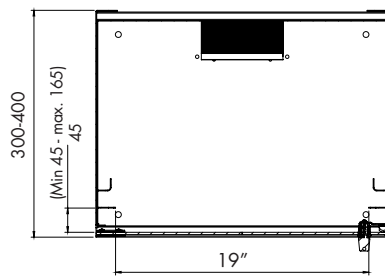


Note: Color code "M50" is RAL 9005 black, "M2" RAL 7035 light grey option is available.

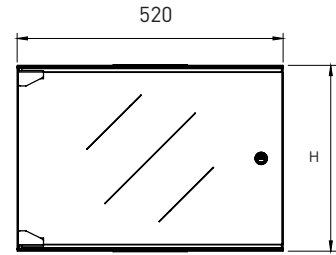
# SOHOLINE 19" WALL-MOUNTED CABINETS TECHNICAL DRAWINGS



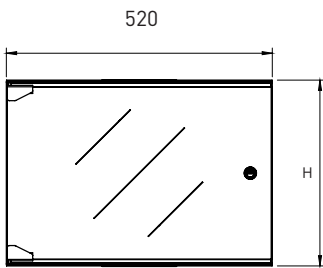
Bottom view



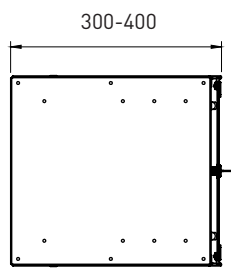
Mounting profile



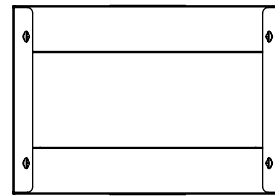
Front view



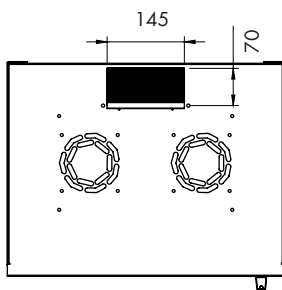
Front view



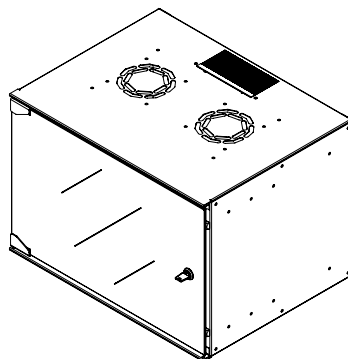
Side view



Back view



Top view

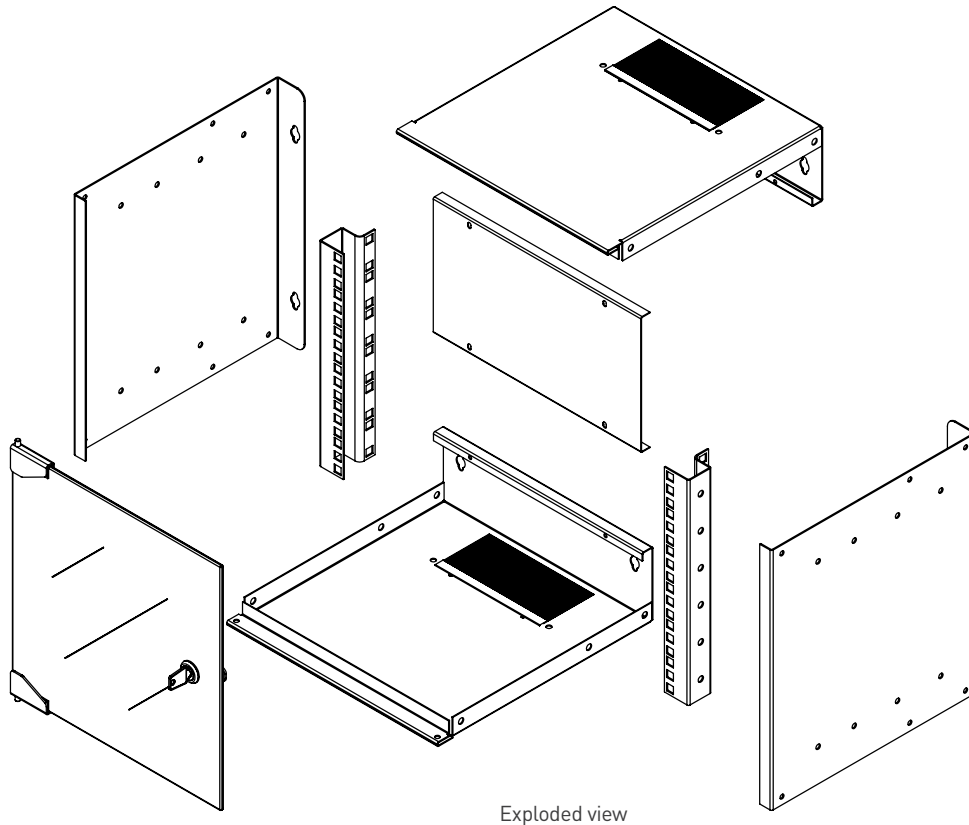


Iso view

H= Enclosure height

# SohoLine

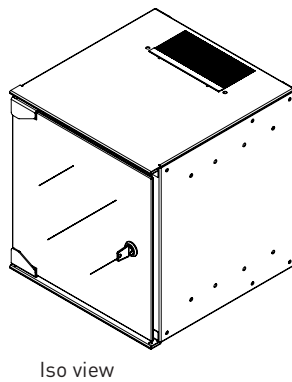
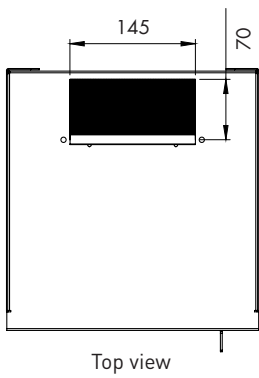
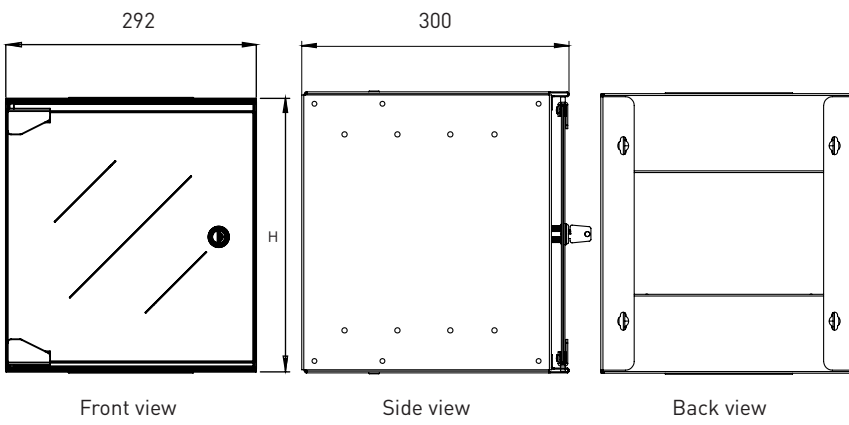
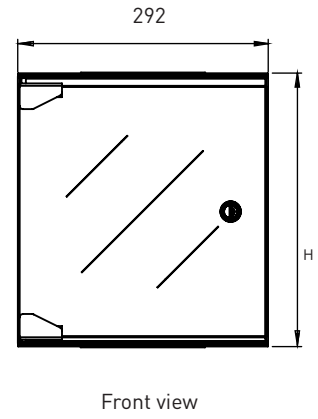
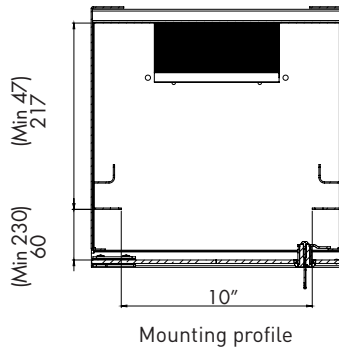
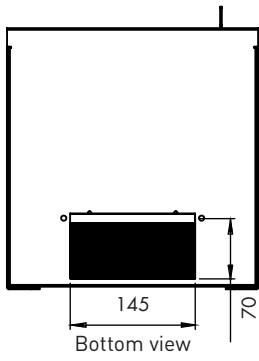
## SOHOLINE 10" WALL-MOUNTED CABINETS DIMENSIONS



PRODUCT REFERENCE	PRODUCT DEFINITION	U SIZE	WIDTH: OVERALL (MM)	DEPTH: OVERALL (MM)	HEIGHT: VERTICAL MOUNTING PROFILE (MM)	HEIGHT: VERTICAL MOUNTING PROFILE (MM)	HEIGHT: OVERALL (MM)
SOH06U25_01M50	10" 6U wall mounting cabinet	6	292	300	267	319	334

Note: Color code "M50" is RAL 9005 black, "M2" RAL 7035 light grey option is available.

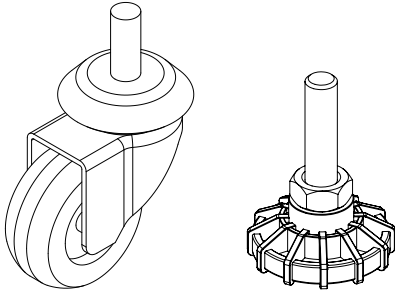
## SOHOLINE 10" WALL MOUNTED CABINETS TECHNICAL DRAWINGS



H= Enclosure height

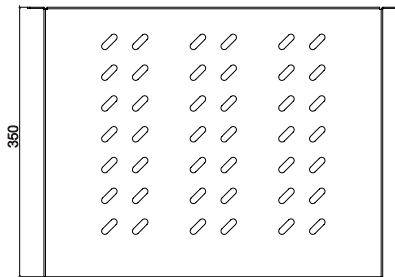
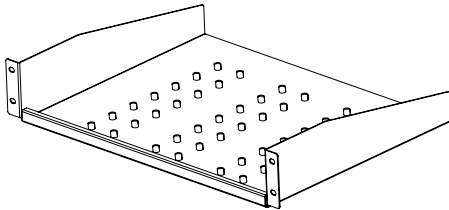
## SohoLine Accessories

### CASTER AND LEVELLING FEET



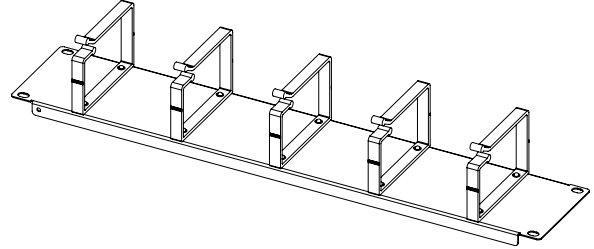
PRODUCT REFERENCE	DESCRIPTION	520x300 (19") mm	520x400 (19") mm	292x300 (10") mm
M11PNY02	LEVELLING FEET	x	x	
G22TKDUV	CASTERS	x	x	x

### RACK MOUNT SHELF



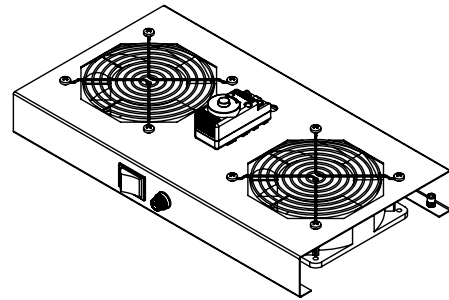
PRODUCT REFERENCE	WxDxH (mm)	520x300 (19") mm	520x400 (19") mm	292x300 (10") mm
E44RAK20M50KFS	483x200x44	X	X	
E44RAK25M50KFS	483x250x44	X	X	
E44RAK30M50KFS	483x300x44		X	
SOHSR10M50KFS	254x152x44			x

### HORIZONTAL CABLE MANAGER



PRODUCT REFERENCE	WxDxH (mm)	520x300 (19") mm	520x400 (19") mm	292x300 (10") mm
E44ORG1U_01M50	483x80x44	X	X	
E44ORG2U_01M50	483x80x88	X	X	
E44ORG1UN_01M50	483x80x44	X	X	
E44ORG1F_01M50	483x100x22	X	X	
E44ORG2F_01M50	483x124x44	X	X	
E44ORG2F-BN_01M50	483x10x44	X	X	
SOHORG10KNC_01M50	254x80x44			X

### FAN

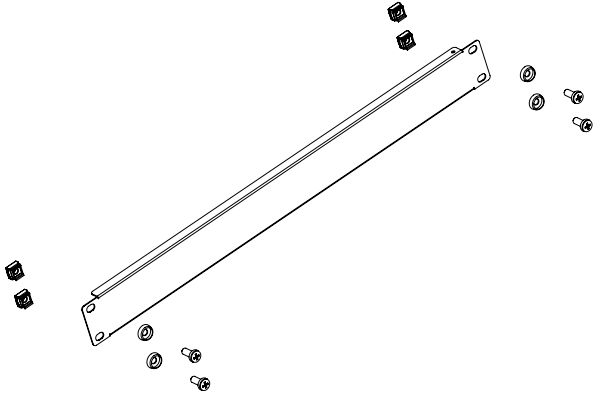


PRODUCT REFERENCE	WxDxH (mm)	520x300 (19") mm	520x400 (19") mm	292x300 (10") mm
M11HV1FW_01M50	360x191x44	X	X	X
M11HV2FW_01M50	360x191x44	X	X	X
M11HV1FWD_01M50	360x191x44	X	X	X
M11HV2FWD_01M50	360x191x83	X	X	X
M11HV1FWD_01M50	360x191x83 (+ 1U 19")	X	X	X
M11HV2FWD_01M50	360x191x83 (+ 1U 19")	X	X	X

Note: Color code "M50" is RAL 9005 black, "M2" RAL 7035 light grey option is available.

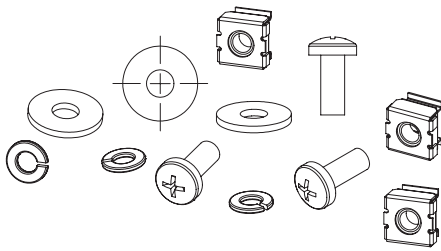
# SohoLine Accessories

## BLANK PANEL



PRODUCT REFERENCE	DESCRIPTION	DIMENSIONS WxHxD (mm)
E44BPN01_0150M	1U 19" Blank panel	483x44x12
E44BPN02_0150M	2U 19" Blank panel	483x88x12
E44BPN03_0150M	3U 19" Blank panel	483x133x12
E44BPN04_0150M	4U 19" Blank panel	483x177x12
E44BPN05_0150M	5U 19" Blank panel	483x222x12
E44BPN06_0150M	6U 19" Blank panel	483x266x12
P44BPN06_01M50	6U 19" Modular plastic blank panel (ABS)	483x266x12

## FIXINGS

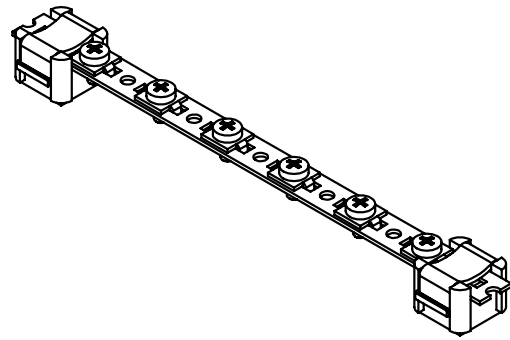


PRODUCT REFERENCE	DESCRIPTION
KFS6X15_20	M6 caged nut, screw, washer (1set=20ea)
KFS6X15_50	M6 caged nut, screw, washer (1set=50ea)

## LED LIGHT

PRODUCT REFERENCE	WxDxH (mm)	520x300 (19") mm	520x400 (19") mm	292x300 (10") mm
MAYDNLED-IRM	300x30x10	X	X	

## GROUNDING KIT



PRODUCT REFERENCE	DESCRIPTION
M44PEB01	Grounding kit, 6 each earthing leads + copper busbar
M44PEB19_01	Grounding kit, 13 each earthing leads + copper busbar

Note: Color code "M50" is RAL 9005 black, "M2" RAL 7035 light grey option is available.



# SohoLine

## TECHNICAL CHARACTERISTICS

Main framework must be with a structure which increases mechanical resistance and offer aesthetic appearance, manufactured with "U" shaped side panels closing on the top and bottom case for framework

stability. Manufactured and tested to provide axial (x, y, z) resistance that meets EN 61587-1 / 5.2.1 and 5.2.2, and external impact resistance that meets EN 61587-1 / 5.3.3.

Bottom and upper case have a structure which increases resistance and strength of cabinet; monoblock bended top and bottom housing cases provide increased stability. Each side panel body is screwed to top and bottom cases with M5x10 screws. Cable access at top case is via a brushed access plate that blocks dust inlet. A plastic cable entry cover plate housed at bottom case can be replaced with the brushed cable entry on top; of cables to enter from bottom.

Rear panel in standard mechanically locked with 4 screws from inside.

Side panels are non-opening screwed style, for maximum stability.

Front door is glass which is tempered, anti-static, secure and smoked glass (4 mm thickness), according to EN 12150-1:2000 standard. It can open 220 degrees, is removable and lockable Vented top panel housing with a dedicated space for ventilation, fan module system allows easy installation of max. 2 fans.

19"(inch) mounting angles for 2 ea. in front are part of the cabinets interior configuration. The cabinet meets EN 61587-1, IEC 60917, IEC 60297 standards, RoHS compliancy, EAC and TSE certified.

Cabinets are manufactured in our factory which has ISO 9001: 2008 Quality Assurance System and our responsibility for environment with ISO 14001:2004 Environmental Management System.

## KEY FEATURES

### ACCESSORIES

**FAN SYSTEM;** The setting range is between 0-35 °C with digital, analog or ON/OFF switch with 1 or 2 pieces fan controlled thermostat units. It is suitable for installation inside the cabinet with electric cable and internal wiring. Every fan at 50 Hz max. have a noise level of 38 dB and 53 CFM airflow. It has a CE certificate.

**CASTER AND/OR LEVELING FEET;** The wheels are movable in every direction and the front wheels have a lockable structure. The load carrying capacity of each wheel and each leveling feet is 250 kg.

**FIXED AND SLIDING SHELF;** Be able to mount from 4 points (2 in front and 2 in rear).

**LIGHTING FIXTURE;** 19", 1U, with ON/OFF switch, 220 Vac, automatic door with ON/OFF switch or LED with sensor.

**GROUNDING CONTINUITY;** Grounding continuity in the cabinet complies with IEC 61010-1 standard. For all doors, these grounding cable connections are made with bolts and nuts.

Grounding continuity between the 19" movable mounting profiles and the main body is provided with the toothed nuts and screws.

The Cabinet complies with EN 61587-1, IEC 60917, IEC 60297 standards, and are RoHS compliant, GOST and TSE certified.

Cabinets are manufactured at our factory which has ISO 9001 Quality Management System and ISO 14001: 2004 Environmental Management System showing our commitment to the environment.

## TESTS AND COMPLIED STANDARDS

### TESTS AND COMPLIED STANDARDS

- 1) ISO 9001:2015 Quality Management System
- 2) ISO 14001:2015 Environmental Management System
- 3) ISO 27001:2013 Information Security Management System
- 4) ISO 45001:2018 Occupational Health and Safety Management System
- 5) 19" device mounting uprights IEC 297-1
- 6) EN 61587-1 Mechanical structures for electronic equipment.
- 7) All cabinet sizes complies with IEC 297-2.

**RESISTANCE TO ENVIRONMENTAL CONDITIONS AND CORROSION; STABILITY, MECHANICAL SAFETY, RESISTANCE TO STATIC, DYNAMIC AND MECHANICAL LOADS;**

**RESISTANCE TO VIBRATION, MECHANICAL SHOCK AND IMPACT;**

**DEGREES OF MECHANICAL PROTECTION PROVIDED BY THE ENCLOSURE (IP20);**

**ELECTRICAL GROUNDING CONTINUITY;**

**FIRE AND FLAME RESISTANCE;**

Have been tested according to the standard " EN 61587-1" with the normative standards: IEC 60917, IEC 60297, IEC 60068-1, IEC 60068-2, IEC 60695-11-10, IEC 60950-1, contained and certified by the notified organizations::

### TSE CERTIFICATE NO

003788-TSE-08/02

### EAC CERTIFICATE NO

0443637, 0776963, 0345864, 0401678, 0776653

### CORROSION

ISO 9227 Standard complied by the test report METALTEK AB-0547-T / 0157-1

### TRANSPORT

ETS 300 019-1-2 Class 2.3 Comply with internal testing

### STORAGE

ETS 300 019-1-1 Class 1.2 Comply with internal testing

### SURFACE FINISH

Electrostatic powder coated c/with surface treatment , 80 +/- 5 micron paint thickness

## PURCHASED PRODUCT CERTIFICATION

### SHEET STEEL

EN 10346: 20015 DX51D+Z, EN 10130: 2006 DC01

### ELECTROSTATIC POWDER COATING

ISO6860, ISO2409, ISO1520, ISO2815, ISO6272, ISO7253, ISO6270-1, ISO2812

ISO 9001, RoHS

### GLASS

TS EN 12150-1, TS EN 1863-1

### LOCK

IEC 62474, REACH, RoHS

### CASTORS

ISO 9001, TS EN 12532, RoHS

### FAN

IEC 60335-2-80:2002, IEC 60335-1:2010