

EcoLine & EcoLine+

Intro

Ecoline and Ecoline+ cabinets are an ideal solution in the offices and IT rooms for data cabling applications where the limited "U" height requirements and less devices are needed.



EcoLine

GENERAL CHARACTERISTICS

- 4 mm thickness of glass, full-length smoked, shatterproof, tempered, secure
- Full glass door
- 450 mm and 600 mm depth. Double sectioned option (+160 mm) is available for the depth of 450 mm cabinet
- Special structure allowing the adjustment of 19" device uprights throughout the depth
- Multiple cable entries: Top, bottom and rear
- Flatpack delivery option which takes less space in storage and transportation*
- Depending on the different customer needs there are two options available; cabinet with fixed side panels (ECOLINE) and with openable side panels (ECOLINE+)
- Cable protecting rubber edge sliding cover
- All Ecoline&Ecoline+ cabinets can be used stand-alone with casters or leveling feet
- Flexibility to use under desks, narrow places
- Color: RAL 9005 black and RAL 7035 light grey



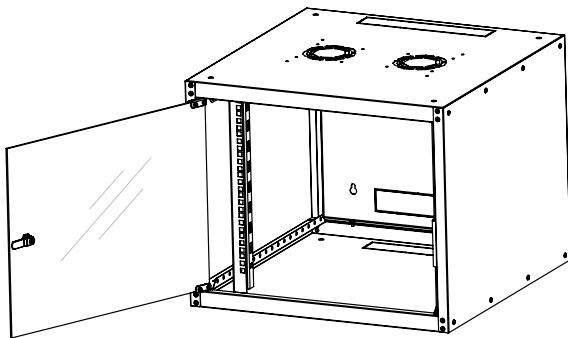
Strong Capacity and User-Friendly Functionality

New EcoLine wall-mounted cabinet range will make your job much easier with its smart design, advanced features and ease of use.

GENERAL CHARACTERISTICS

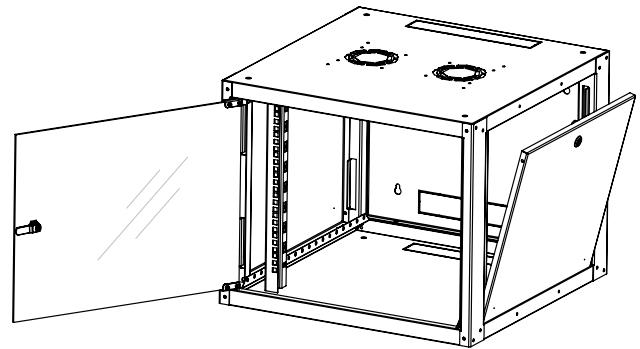
EcoLine

- 65 kg. load carrying capacity (for wall-mounted installation)
- Front door can be opened up to 120°
- 4U, 7U, 9U, 12U, 16U, 20U height options
- U marking device installation uprights
- Nut and washer connection for earthing



EcoLine+

- 65 kg. load carrying capacity (for wall-mounted installation)
- Front door can be opened up to 125°
- 4U, 7U, 9U, 12U, 16U, 20U height options
- U marking device installation uprights
- Easy openable side panels
- Nut and washer connection for earthing



EcoLine+

EcoLine & EcoLine+

TECHNICAL CHARACTERISTICS



EcoLine

- Assembled
- 450 mm and 600 mm depth, double sectioned option (+160 mm) is available for the depth of 450 mm cabinet
- Standard front door: Single opening full glass, 4 mm thickness full-length smoked, shatterproof, tempered, secure
- Protection level: IP20
- Load carrying capacity: 65 kg.
- 19" uprights: solid metal, 1,5 mm of thickness, 3 bending
- Side panels: Complete metal, 1 mm
- Rear panel: 1,5 mm of thickness
- Lock: Barrel type locking cabinet, single point locking
- Surface finish: Durable electrostatic powder coating against impact, scratches and dust
- Corrosion: ISO9227 and ASTM B 117-85
- Standards: European Union and international standards; ISO, IEC, EN, Gost, ROHS, UL etc.
- Color: RAL 9005 black and RAL 7035 light grey

EcoLine+

- Assembled / Flatpack
- 450 mm and 600 mm depth, double sectioned option (+160 mm) is available for the depth of 450 mm cabinet
- Standard front door: Single opening full glass, 4 mm thickness full-length smoked, shatterproof, tempered, secure
- Protection level: IP20
- Load carrying capacity: 65 kg.
- 19" uprights: solid metal, 1,5 mm of thickness, 3 bending
- Side panels: Complete metal, 0,8 mm
- Rear panel: 1,5 mm of thickness
- Side panels openable
- Lock: Barrel type locking cabinet, single point locking (front door and side covers)
- Surface finish: Durable electrostatic powder coating against impact, scratches and dust
- Corrosion: ISO9227 and ASTM B 117-85
- Standards: European Union and international standards; ISO, IEC, EN, Gost, ROHS, UL etc.
- Color: RAL 9005 black and RAL 7035 light grey



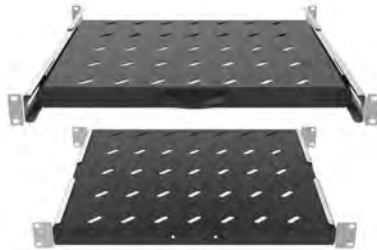
The EcoLine range is available in flatpack packaging, taking up to **50%** less space

Shelves

2-points fixed shelf



4-points fixed and sliding shelves

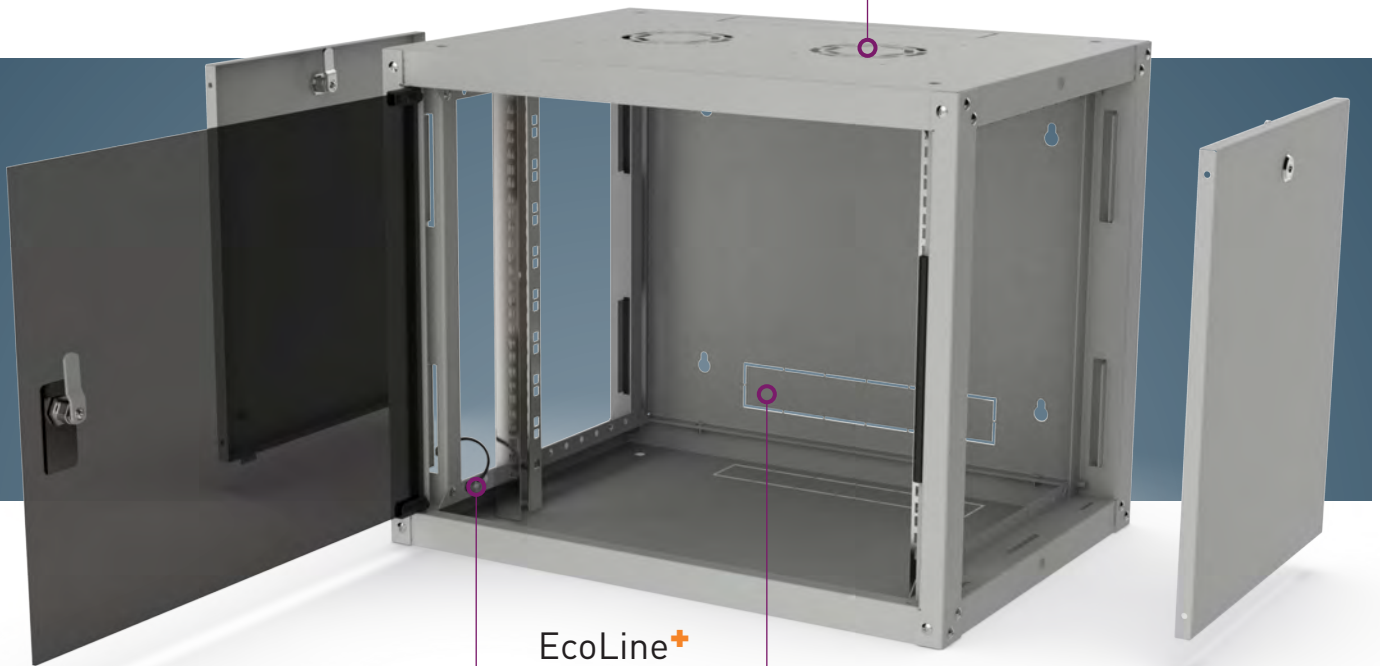


4-points shelves are only suitable for 600 mm depth cabinets.



Advanced ventilation system

EcoLine and EcoLine plus are equipped with many features for more effective ventilation. Your devices are now more efficient and safe with the circulation system providing optimum air circulation inside the cabinet.



EcoLine+

Earthing is so easy with the connection of nut and washer!



The perfect solution for a large amount of cables: pre-cut cable entries in 3 different point.

- Top, bottom and rear cable entries with the dimension of 300 mm x 50 mm
- Optional brushed cable entry to prevent dust, which will keep the optimum air circulation inside the cabinet



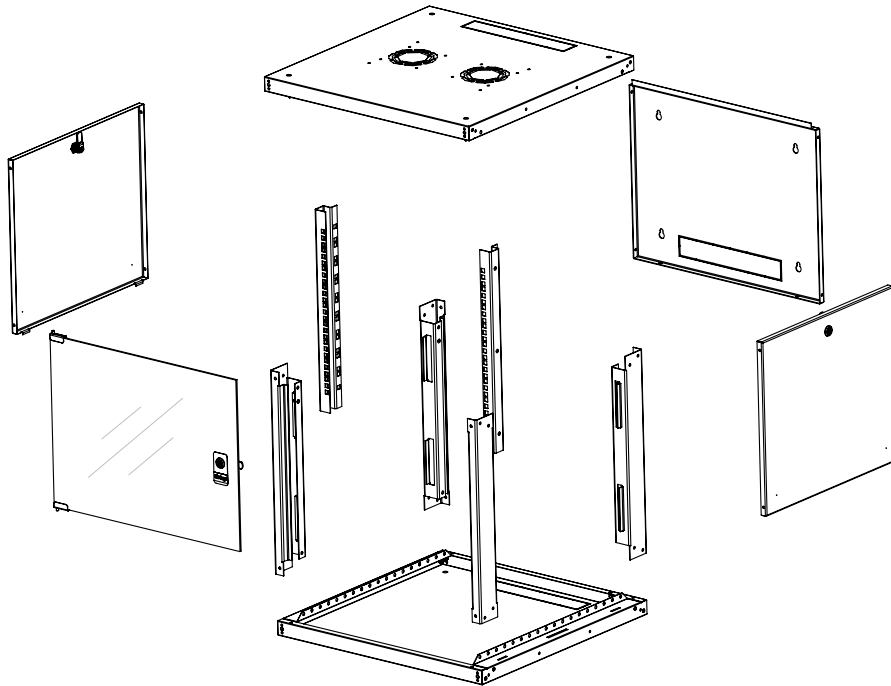
EcoLine & EcoLine+

PRODUCT REFERENCE

PRODUCT REFERENCE	MOUNTED/ FLATPACK	"U" HEIGHT	WIDTH	DEPTH	HEIGHT	HEIGHT WITH CASTERS	HEIGHT WITH LEVELLING FEET	"A" SIZE	
EC04U6045_M..FGF	ECOLINE MOUNTED	04	600	450	270	333	295	63	
EC07U6045_M..FGF		07	600	450	405	468	430	197	
EC09U6045_M..FGF		09	600	450	495	558	520	286	
EC12U6045_M..FGF		12	600	450	626	689	651	419	
EC16U6045_M..FGF		16	600	450	805	868	830	597	
EC20U6045_M..FGF		20	600	450	982	1045	1007	775	
EC04U6060_M..FGF		04	600	600	270	333	295	63	
EC07U6060_M..FGF		07	600	600	405	468	430	197	
EC09U6060_M..FGF		09	600	600	495	558	520	286	
EC12U6060_M..FGF		12	600	600	626	689	651	419	
EC16U6060_M..FGF		16	600	600	805	868	830	597	
EC20U6060_M..FGF		20	600	600	982	1045	1007	775	
ECP04U6045_M..FGF	ECOLINE PLUS MOUNTED	04	600	450	270	333	295	63	
ECP07U6045_M..FGF		07	600	450	405	468	430	197	
ECP09U6045_M..FGF		09	600	450	495	558	520	286	
ECP12U6045_M..FGF		12	600	450	626	689	651	419	
ECP16U6045_M..FGF		16	600	450	805	868	830	597	
ECP20U6045_M..FGF		20	600	450	982	1045	1007	775	
ECP04U6060_M..FGF		04	600	600	270	333	295	63	
ECP07U6060_M..FGF		07	600	600	405	468	430	197	
ECP09U6060_M..FGF		09	600	600	495	558	520	286	
ECP12U6060_M..FGF		12	600	600	626	689	651	419	
ECP16U6060_M..FGF		16	600	600	805	868	830	597	
ECP20U6045_M..FGF		20	600	600	982	1045	1007	775	

PRODUCT REFERENCE

PRODUCT REFERENCE	MOUNTED/ FLATPACK	"U" HEIGHT	WIDTH	DEPTH	HEIGHT	HEIGHT WITH CASTERS	HEIGHT WITH LEVELLING FEET	"A" SIZE
ECP04U6045_M..FGF_F	ECOLINE PLUS FLATPACK	04	600	450	270	333	295	63
ECP07U6045_M..FGF_F		07	600	450	405	468	430	197
ECP09U6045_M..FGF_F		09	600	450	495	558	520	286
ECP12U6045_M..FGF_F		12	600	450	626	689	651	419
ECP16U6045_M..FGF_F		16	600	450	805	868	830	597
ECP20U6045_M..FGF_F		20	600	450	982	1045	1007	775
ECP04U6060_M..FGF_F		04	600	450	270	333	295	63
ECP07U6060_M..FGF_F		07	600	600	405	468	430	197
ECP09U6060_M..FGF_F		09	600	600	495	558	520	286
ECP12U6060_M..FGF_F		12	600	600	626	689	651	419
ECP16U6060_M..FGF_F		16	600	600	805	868	830	597
ECP20U6060_M..FGF_F		20	600	600	982	1045	1007	775



Exploded view

Abbreviations:

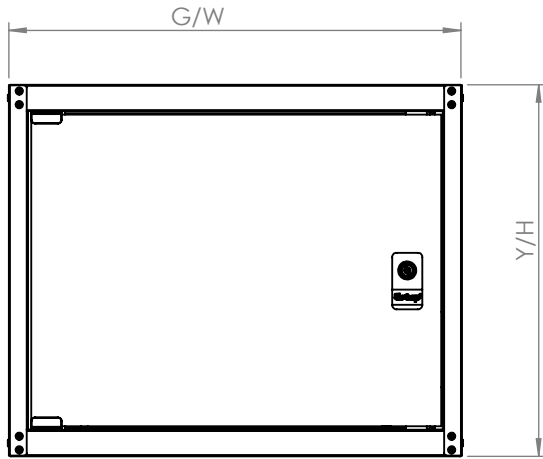
EC: Ecoline
 ECP: Ecoline Plus
 Color code: M2 for grey, M50 for black.
 FGF: Full glass front door
 F: Flatpack

Example reference selection:

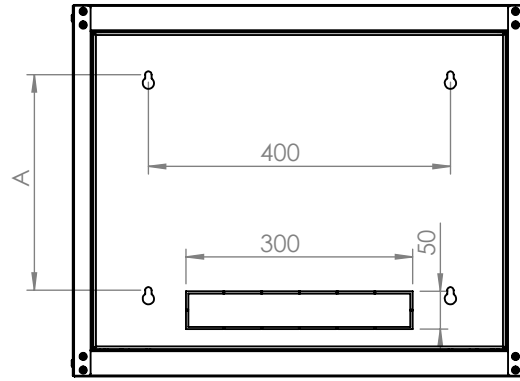
Description: Ecoline Plus 9U with 600 mm x 600 mm dimensions, black, flatpack
 Reference: ECP09U6060_M50_FGF_F

EcoLine & EcoLine+

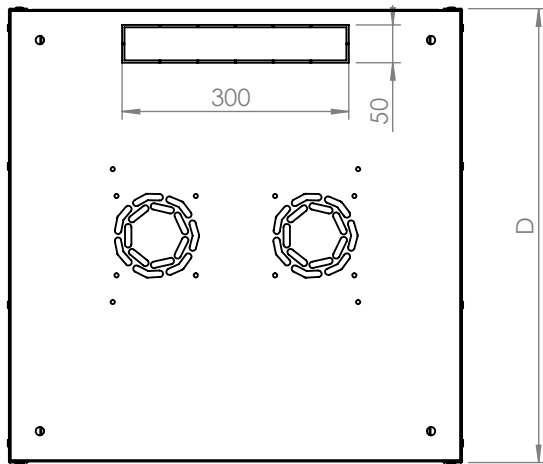
TECHNICAL DRAWINGS ECOLINE (mm)



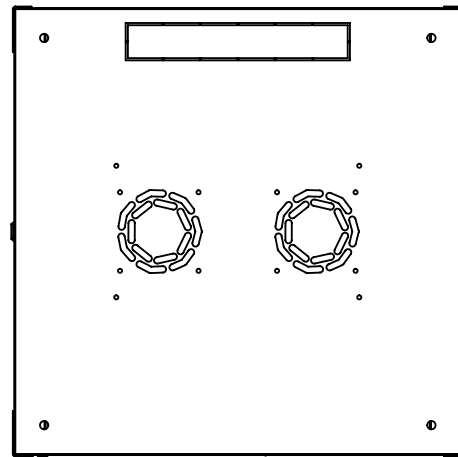
Front view



Rear view



Top view

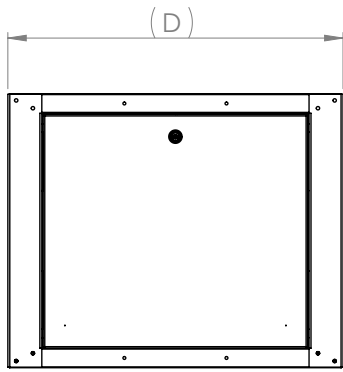


Door opening top view

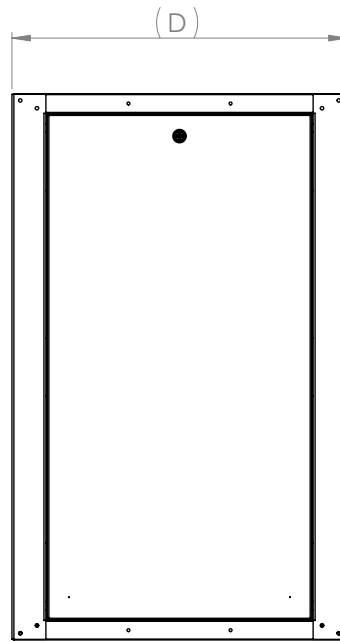
125°

TECHNICAL DRAWINGS ECOLINE+ (mm)

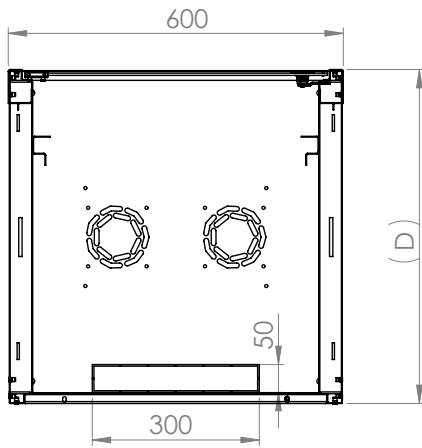
D (mm)	E (mm)
450	330
600	482



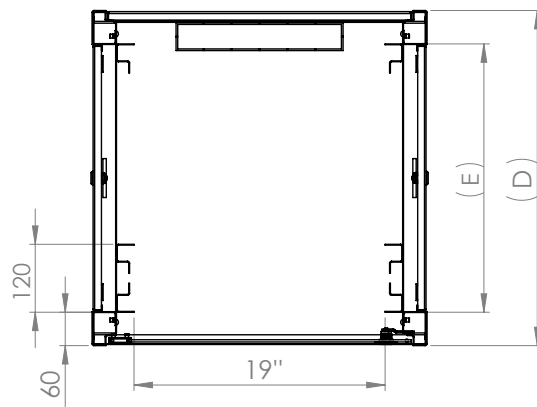
Side view



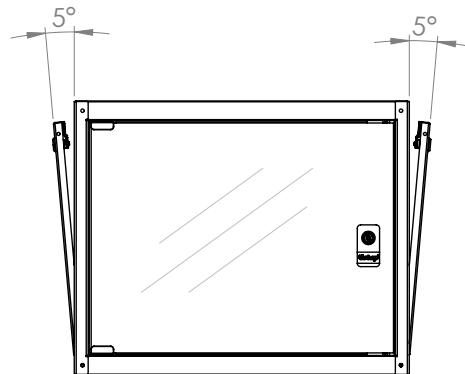
Side view



Top view



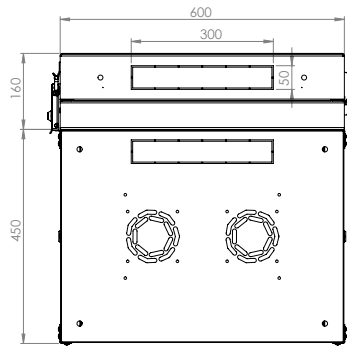
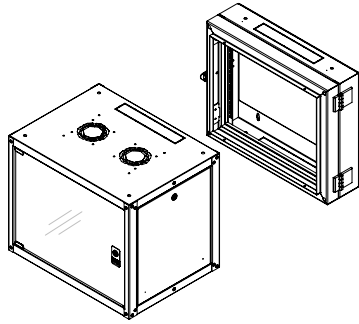
Back view



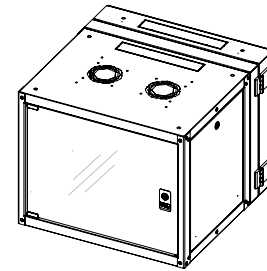
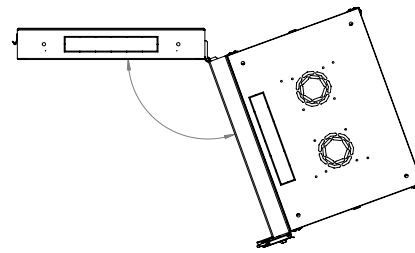
Opening of 5 degree is enough to remove the side panels

TECHNICAL DRAWINGS (mm)

For the Ecoline and Ecoline+ series with a depth of 450 mm, it has a monoblock wall frame option of D= 160 mm welding which allows double sectioned application. With increased depth, it offers rear access to the devices.



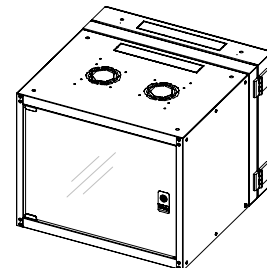
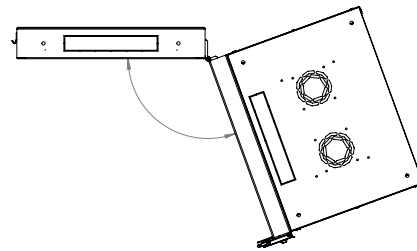
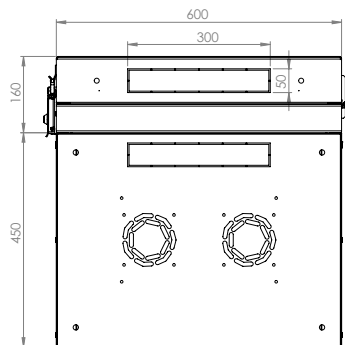
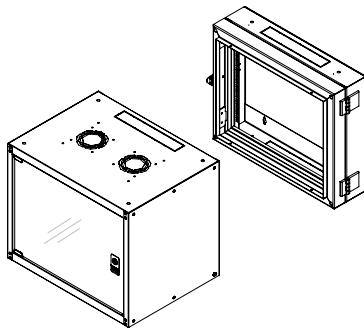
ECOLINE+



PRODUCT REFERENCE	WxD (mm)
ECDS4U6016_M50	600 x 160
ECDS7U6016_M50	600 x 160
ECDS9U6016_M50	600 x 160
ECDS12U6016_M50	600 x 160
ECDS16U6016_M50	600 x 160
ECDS20U6016_M50	600 x 160

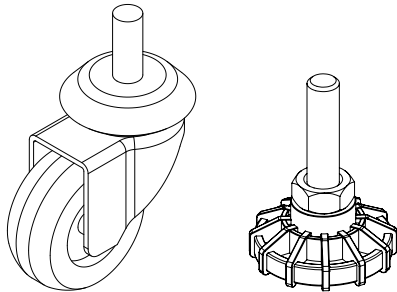
Color code: M2 for grey and M50 for black

ECOLINE



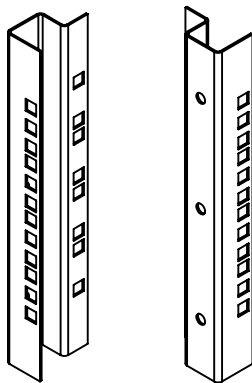
EcoLine&Ecoline+ Accessories

CASTER AND LEVELLING FEET



PRODUCT REFERENCE		600x450 mm	600x600 mm	600x450 mm +160 mm
M11PNY02	LEVELLING FEET	x	x	x
G22TKDUV	CASTERS	x	x	x

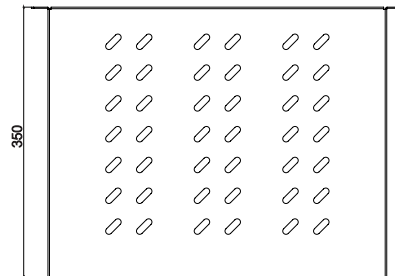
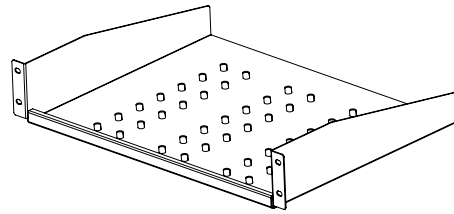
19" DEVICE UPRIGHTS



PRODUCT REFERENCE	"U" HEIGHT	600x450 mm	600x600 mm	600x450 mm +160 mm
CMD4UPROLINE	04	x	x	x
CMD7UPROLINE	07	x	x	x
CMD9UPROLINE	09	x	x	x
CMD12UPROLINE	12	x	x	x
CMD16UPROLINE	16	x	x	x
CMD20UPROLINE	20	x	x	x

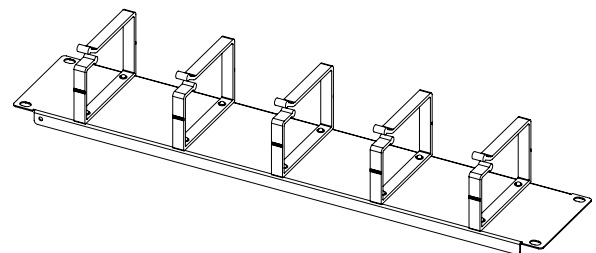
Note: Color code "M50" is RAL 9005 black, "M2" RAL 7035 light grey option is available.

RACK MOUNT SHELF



PRODUCT REFERENCE	WxDxH (mm)	600x450 mm	600x600 mm	600x450 mm +160 mm
E44RAK20M50KFS	483x200x44	X	X	X
E44RAK25M50KFS	483x250x44	X	X	X
E44RAK30M50KFS	483x300x44	X	X	X
E44RAK35M50KFS	483x370x88	X	X	X
E44RAK40M50KFS	483x400x44		X	

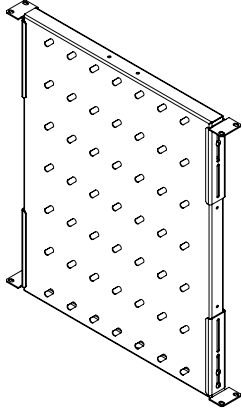
HORIZONTAL CABLE MANAGER



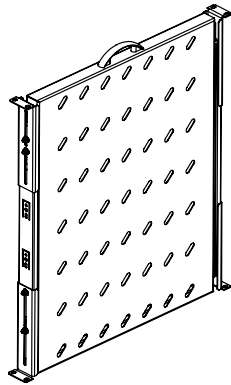
PRODUCT REFERENCE	WxDxH (mm)	600x450 mm	600x600 mm	600x450 mm +160 mm
E44ORG1U_01M50	483x80x44	X	X	X
E44ORG2U_01M50	483x80x88	X	X	X
E44ORG1UN_01M50	483x80x44	X	X	X
E44ORG1F_01M50	483x100x22	X	X	X
E44ORG2F_01M50	483x124x44	X	X	X
E44ORG2F-BN_01M50	483x10x44	X	X	X

EcoLine&Ecoline+ Accessories

FIXED AND SLIDING SHELVES

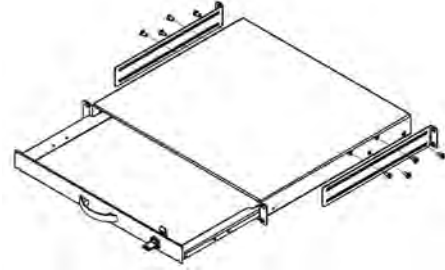


PRODUCT REFERENCE			Distance between uprights	
			Min. (A) (mm)	Max. (B) (mm)
SHLFIX60M50	D= 600 mm fixed shelf module with slots / load capacity 50 kg. / Ral...	Depth of the shelf D= 372 mm, 4-points fixed. only suitable for 600 mm depth cabinets. Load carrying capacity is 50 kg.	355	500



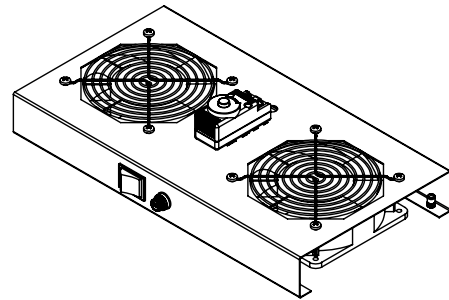
PRODUCT REFERENCE			Distance between uprights	
			Min. (A) (mm)	Max. (B) (mm)
SHLSLD60M50	D= 600 mm sliding shelf module with slots / load capacity 30 kg. / Ral...	Depth of the shelf D= 372 mm, 4-points fixed. only suitable for 600 mm depth cabinets. Load carrying capacity is 30 kg.	337	500

1U 19" KEYBOARD DRAWER



PRODUCT REFERENCE	DESCRIPTION	DIMENSIONS WxHxD (mm)
E44DRW1U_01M50	1U 19" Keyboard drawer (If cabinet is equipped with 4 pcs. 19" rails/ If needed please see 19" profiles angles) sheet steel material and load carrying capacity is 25 kg.	483x44x400

FAN



PRODUCT REFERENCE	WxDxH (mm)	600x450 mm	600x600 mm	600x450 mm +160 mm
M11HV1FW_01M50	360x191x44	X	X	X
M11HV2FW_01M50	360x191x44	X	X	X
M11HV1FWT_01M50	360x191x44	X	X	X
M11HV2FWT_01M50	360x191x83	X	X	X
M11HV1FWDT_01M50	360x191x83 (+ 1U 19")	X	X	X
M11HV2FWDT_01M50	360x191x83 (+ 1U 19")	X	X	X

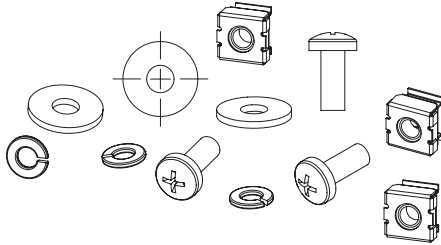
LED LIGHT

PRODUCT REFERENCE	WxDxH (mm)	600x450 mm	600x600 mm	600x450 mm +160 mm
MAYDNLED-IRM	300x30x10	X	X	X

Note: Color code "M50" is RAL 9005 black, "M2" RAL 7035 light grey option is available.

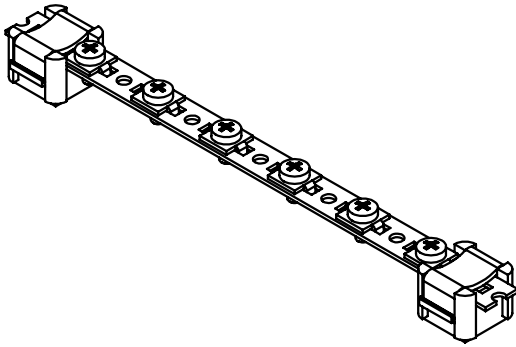
EcoLine&Ecoline+ Accessories

FIXINGS



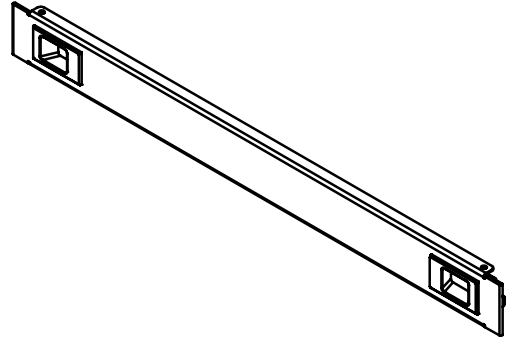
PRODUCT REFERENCE	DESCRIPTION
KFS6X15_20	M6 caged nut, screw, washer (1set=20ea)
KFS6X15_50	M6 caged nut, screw, washer (1set=50ea)

GROUNDING KIT



PRODUCT REFERENCE	DESCRIPTION
M44PEB01	Grounding kit, 6 each earthing leads + copper busbar
M44PEB19_01	Grounding kit, 13 each earthing leads + copper busbar

BLANK PANELS



PRODUCT REFERENCE	DESCRIPTION	DIMENSIONS WxHxD (mm)
E44BPN01_0150M	1U 19" Blank panel	483x44x12
E44BPN02_0150M	2U 19" Blank panel	483x88x12
E44BPN03_0150M	3U 19" Blank panel	483x133x12
E44BPN04_0150M	4U 19" Blank panel	483x177x12
E44BPN05_0150M	5U 19" Blank panel	483x222x12
E44BPN06_0150M	6U 19" Blank panel	483x266x12
P44BPN06_01M50	6U 19" Modular plastic blank panel (ABS)	483x266x12

EcoLine & EcoLine+

TECHNICAL CHARACTERISTICS

LOAD CARRYING CAPACITY; load carrying capacity is 65 kg.

TOP AND BOTTOM CHASSIS; Top and bottom chassis which has a twisted monoblock design has a structure that will increase the resistance and strength of the cabinet. The perforated top panel consists of special vent holes for ventilation and the fan module system allows for installation of a maximum of 2 fans. In the Ecoline version, each side panel is fixed with M5 rivets to the top and bottom chassis.

The 450 mm depth Ecoline and Ecoline plus series have a D = 160 mm, welded, wallmounted monoblock frame option which allows double sectioned cabinet application. Thus, provides the possibility of increasing depth and offers access to the rear of the devices also.

FRONT AND REAR COVERS; According to EN 12150-1: 2000 standard, the front door has an antistatic, secure and smoked glass (4mm thickness), decorative lane structure. The front door can be opened up to 125°, can be locked and unlocked with "O" type lock unit.

The structure of the rear panel can be mechanically locked from the inside with a standard 2 screws, allowing the back panel to be used like a wall bracket.

SIDE PANELS; There are 2 options available; cabinet with fixed side panels and cabinet with openable side panels. In the fixed version of the side panels, the panels have a fixed rivet.

CABLE ENTRIES; Brushed cable entries which are pre-cut on the top, bottom and rear side of the cabinet with the dimension of 300 mm x 50 mm.

DIMENSIONS; Complies with IEC 60297 standard. Cabinets are (4U/7U/9U/12U/16U/20U) height, 600 mm. width and 450 mm or 600 mm. depth.

DELIVERY OPTION; Both assembled and flatpack options are available in the version with side panels openable (ECOLINE PLUS).

19" UPRIGHTS; The 19" (in.) "U" marked device mounting bracket (2 in front) is a part of the cabinet interior configuration.

KEY FEATURES

ACCESSORIES

FAN SYSTEM; The setting range is between 0-35 °C with digital, analog or ON/OFF switch with 1 or 2 pieces fan controlled thermostat units. It is suitable for installation inside the cabinet with electric cable and internal wiring. Every fan at 50 Hz max. have a noise level of 38 dB and 53 CFM airflow. It has a CE certificate.

CASTER AND/OR LEVELING FEET; The wheels are movable in every direction and the front wheels have a lockable structure. The load carrying capacity of each wheel and each leveling feet is 250 kg.

FIXED AND SLIDING SHELF; Be able to mount from 4 points (2 in front and 2 in rear).

LIGHTING FIXTURE; 19", 1U, with ON/OFF switch, 220 Vac, automatic door with ON/OFF switch or LED with sensor.

GROUNDING CONTINUITY; Grounding continuity in the cabinet complies with IEC 61010-1 standard. For all doors, these grounding cable connections are made with bolts and nuts.

Grounding continuity between the 19" movable mounting profiles and the main body is provided with the toothed nuts and screws.

The Cabinet complies with EN 61587-1, IEC 60917, IEC 60297 standards, and are RoHS compliant, GOST and TSE certified.

Cabinets are manufactured at our factory which has ISO 9001 Quality Management System and ISO 14001: 2004 Environmental Management System showing our commitment to the environment.

TESTS AND COMPLIED STANDARDS

TESTS AND COMPLIED STANDARDS

- 1) ISO 9001:2015 Quality Management System
- 2) ISO 14001:2015 Environmental Management System
- 3) ISO 27001:2013 Information Security Management System
- 4) ISO 45001:2018 Occupational Health and Safety Management System
- 5) 19" device mounting uprights IEC 297-1
- 6) EN 61587-1 Mechanical structures for electronic equipment.
- 7) All cabinet sizes complies with IEC 297-2.

**RESISTANCE TO ENVIRONMENTAL CONDITIONS AND CORROSION;
STABILITY, MECHANICAL SAFETY, RESISTANCE TO STATIC, DYNAMIC
AND MECHANICAL LOADS;**

RESISTANCE TO VIBRATION, MECHANICAL SHOCK AND IMPACT;

**DEGREES OF MECHANICAL PROTECTION PROVIDED BY THE
ENCLOSURE (IP20);**

ELECTRICAL GROUNDING CONTINUITY;

FIRE AND FLAME RESISTANCE;

Have been tested according to the standard " EN 61587-1" with the normative standards: IEC 60917, IEC 60297, IEC 60068-1, IEC 60068-2, IEC 60695-11-10, IEC 60950-1, contained and certified by the notified organizations::

TSE CERTIFICATE NO

003788-TSE-08/02

EAC CERTIFICATE NO

0443637, 0776963, 0345864, 0401678, 0776653

CORROSION

ISO 9227 Standard complied by the test report METALTEK AB-0547-T / 0157-1

TRANSPORT

ETS 300 019-1-2 Class 2.3 Comply with internal testing

STORAGE

ETS 300 019-1-1 Class 1.2 Comply with internal testing

SURFACE FINISH

Electrostatic powder coated c/with surface treatment , 80 +/- 5 micron paint thickness

PURCHASED PRODUCT CERTIFICATION

SHEET STEEL

EN 10346: 20015 DX51D+Z, EN 10130: 2006 DC01

ELECTROSTATIC POWDER COATING

ISO6860, ISO2409, ISO1520, ISO2815, ISO6272, ISO7253, ISO6270-1, ISO2812

ISO 9001, RoHS

GLASS

TS EN 12150-1, TS EN 1863-1

LOCK

IEC 62474, REACH, RoHS

CASTORS

ISO 9001, TS EN 12532, RoHS

FAN

IEC 60335-2-80:2002, IEC 60335-1:2010